

New Service Head System M 6

ondal



New Service Head System M 6

ondal

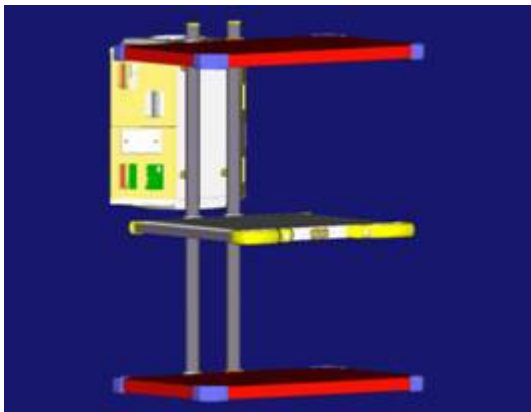
6 Modules

- Base
- E-module
- Multi-Function-Rack (MFR)



- Gas-module
- Shelves
- Infu – Set

6 Features and more,



- M = more ergonomically designed*
- M = more flexibility*
- M = more space utilization*
- M = more protection by collision*
- M = more saving with dead weight*
- M = more cost savings*
- M = more cable management*

New Service Head System M 6

ondal



M = more ergonomically designed

M = more flexibility

M = more space utilization

M = more protection by collision

M = more saving with dead weight

M = more cost savings

M = more cable management

***Advantages for you and your customers
in detail ...***

New Service Head System M 6

ondal

New Comfort

- the service modules for gas and electricity are at each side of the service head
- ergonomically located with a maximum of space savings
- all sockets are clearly visible from the front and the back
- easy and comfortable reach of all sockets
- clear plug locations - no collision to other plugs



More ergonomically designed

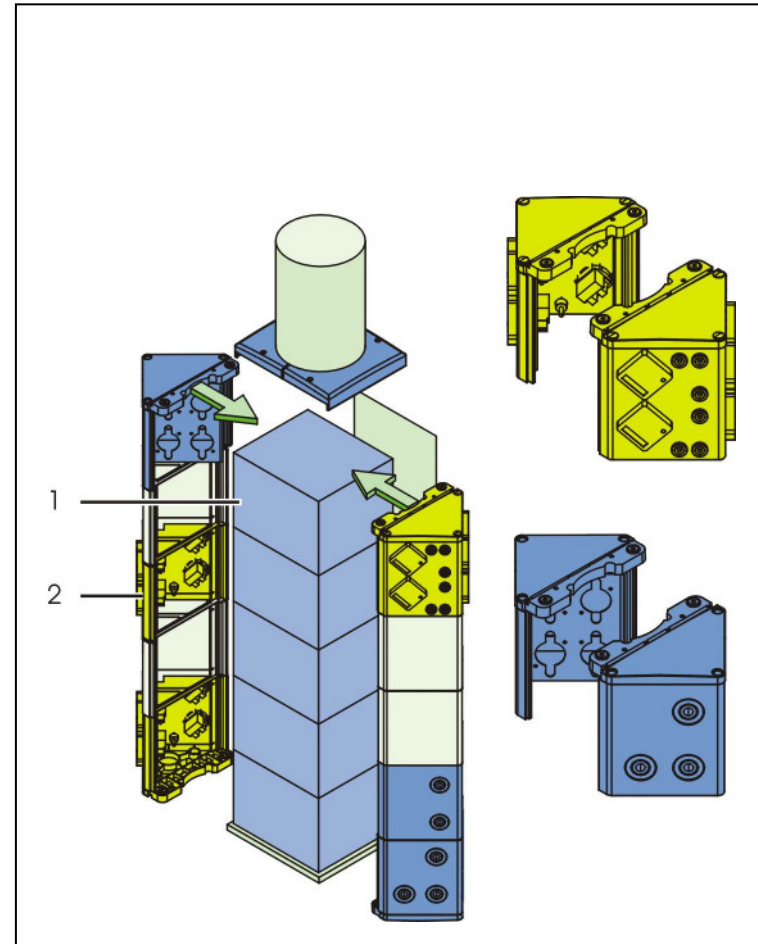
New Service Head System M 6



New configuration concept

- modular configuration concept, consisting of base and service modules
- for maximum service fittings at minimum space demand
- free choice of location of gas and electricity modules
- easy maintenance and modification on site by opening of the service modules
- no complicated and costly deinstallation

➔ More flexibility

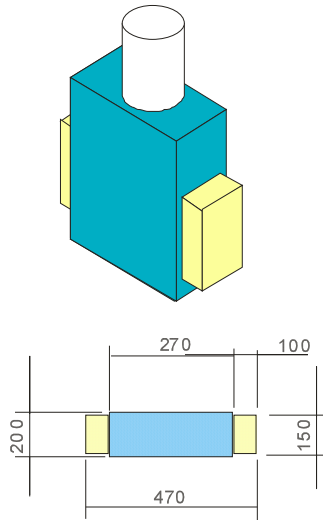


New Service Head System M 6

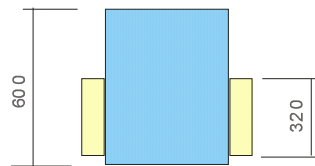
Comparison Service Head „Old“ vs. „New M 6“

• Old Version (e.g. 600 mm)

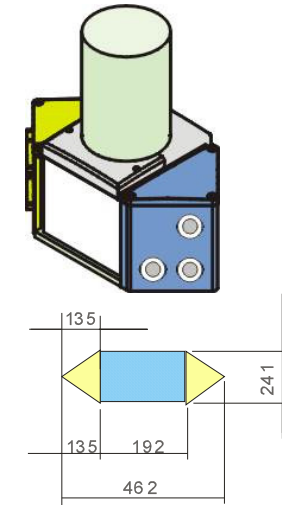
• New Version (e.g. 200 mm)



Area: 840 cm²

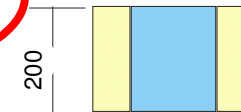


Used volume:
42.000 cm³



New Area: 789 cm²

New used volume:
15,780 cm³



➔ More space utilization

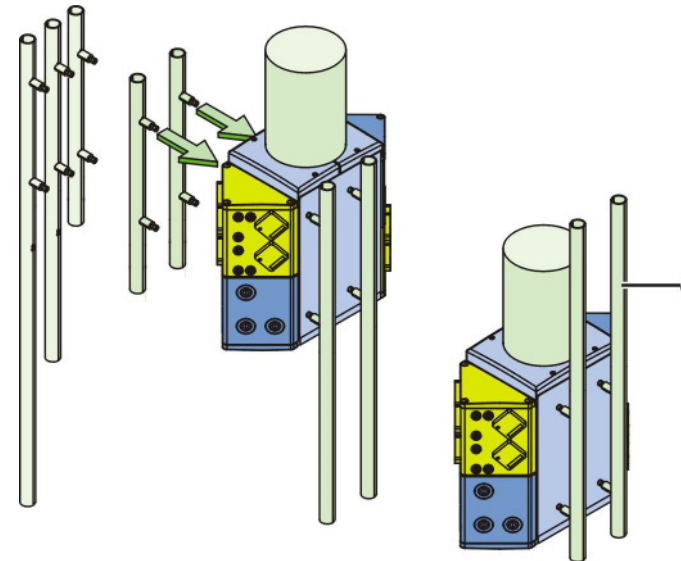
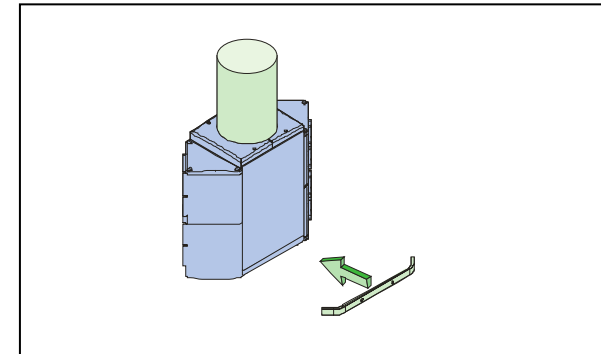
=> 62 % in space savings

New Service Head System M 6

ondal

New functional concept

- the innovative configurations concept brings the carrying elements to where they are needed at maximum weight savings
- the various lengths of the multi function rack allow excellent weight savings
- free choice of location for tray fixation to the rack



➔ More savings with dead weight

New Service Head System M 6

New space management concept

- more economical design allowing easy reach of fittings
- more flexibility guarantee maximum service fittings at minimum space demand
- more space utilization allows smaller service head configuration than usual
- weight savings with smaller service head permits adding additional equipment

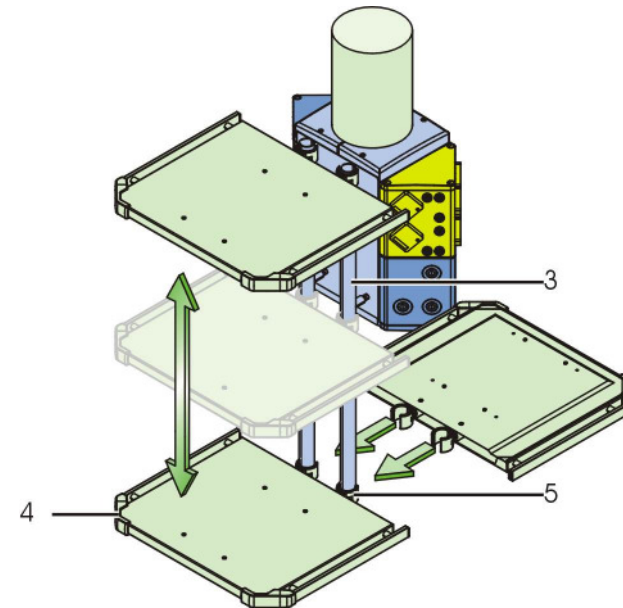
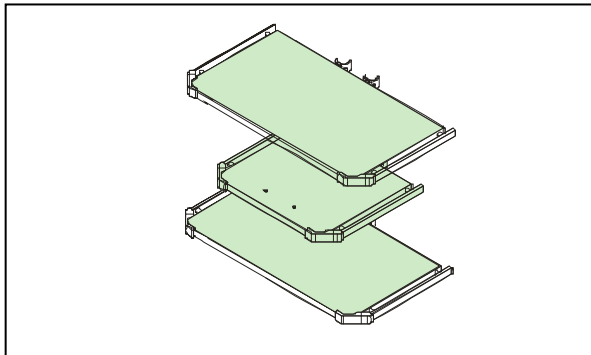
➔ More cost savings

New Service Head System M 6

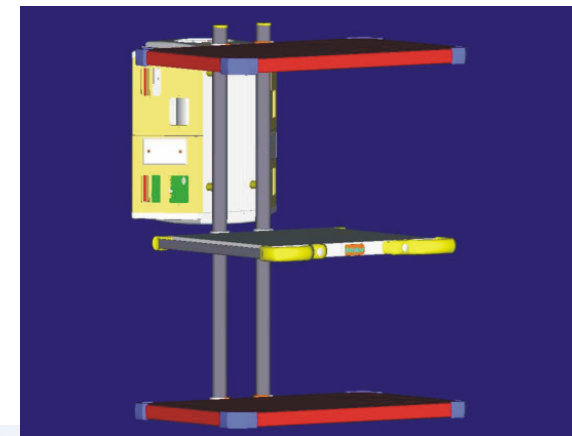
ondal

New outer surface concept

- the new design of service modules in triangle forms offer highest safety due to non-existing sharp edges
- trays do always come with edge protection – thus avoiding any injuries
- height adjustable trays at all time can easily be pulled out of the fixation



➔ More protection by collision

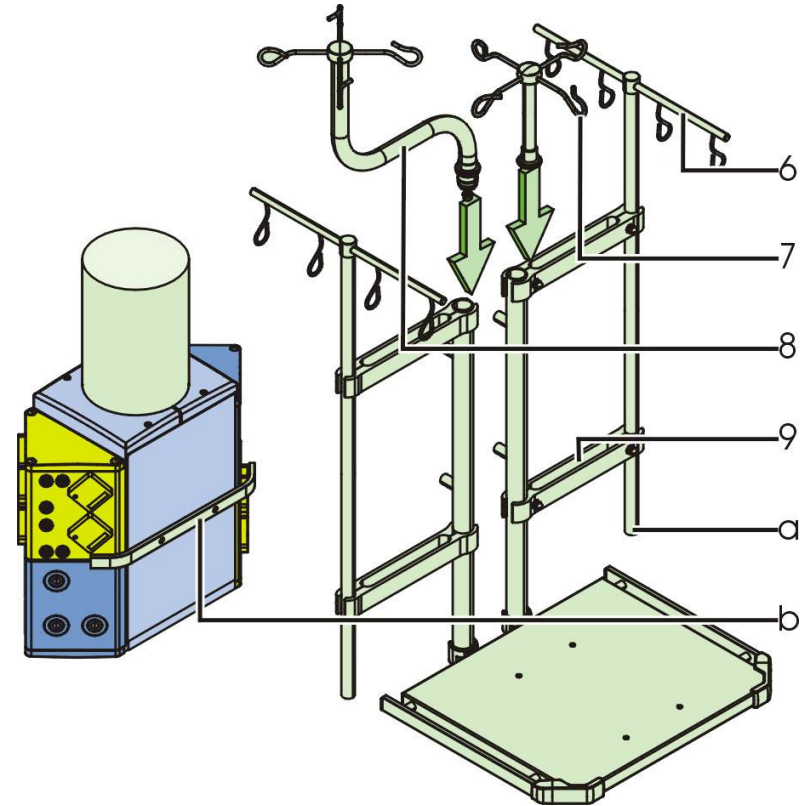
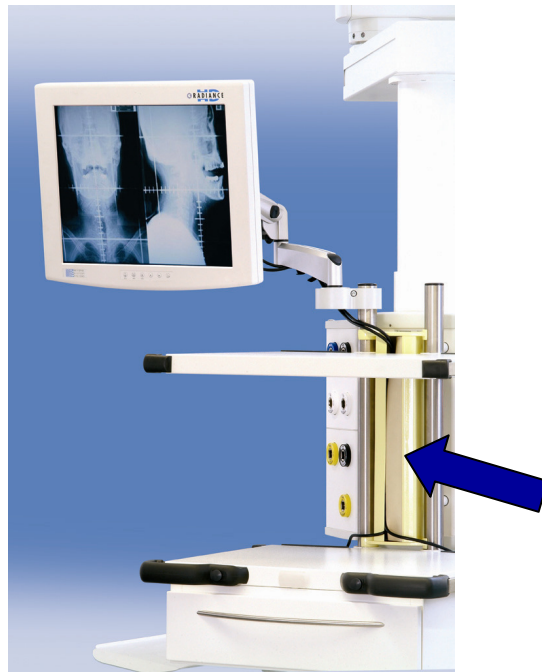


New Service Head System M 6



Improved accessory design

- extra space within the trays provide smart cable organization



➔ More cable management

New Service Head System M 6

ondal

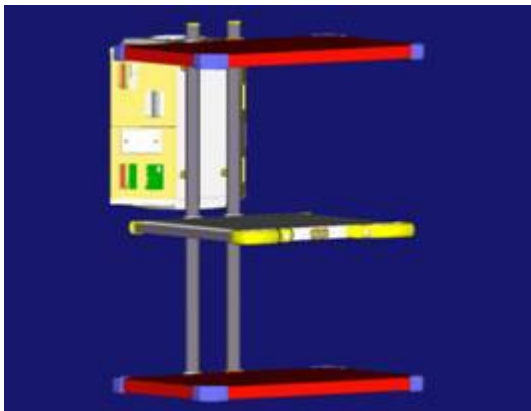
6 Modules

- Base
- E-module
- Multi-Function-Rack (MFR)



- Gas-module
- Shelves
- Infu – Set

6 Features and more,



M = more comfortable

M = lighter

M = safer

M = slimmer

M = more economical

M = smarter